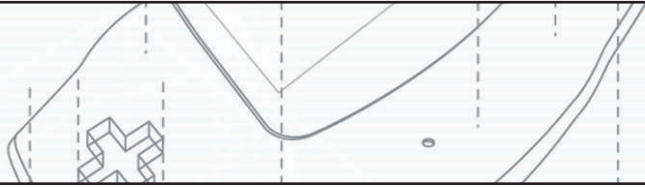
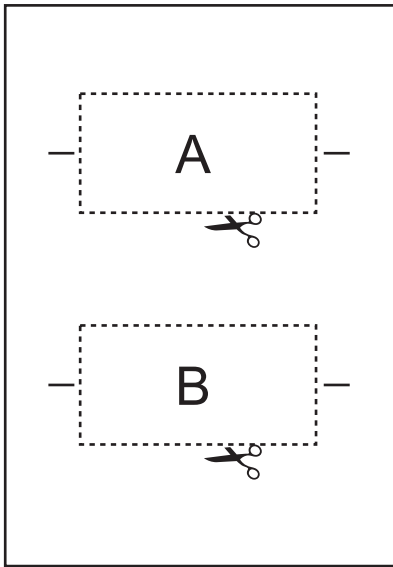


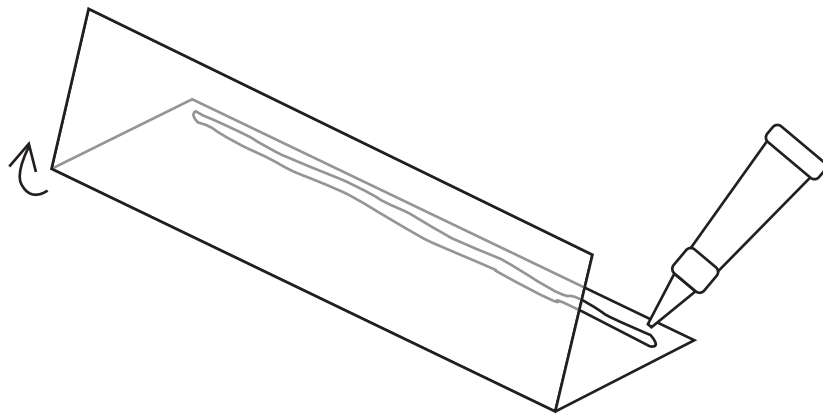
GAME BOY ADVANCE™



1



2



GAME BOY ADVANCE HARDWARE TM and © are trademarks of Nintendo. © 2002 Nintendo.



GAME BOY ADVANCE HARDWARE TM and © are trademarks of Nintendo. © 2002 Nintendo.

